

Coaxial straight – European solder pins, sizes DE – DC

75 Ohm part numbers with straight contacts

| Shell size | Layout | with standoff M3          | with standoff M3 with pushfit | standoff, M3 post and pushfit | with M3 clinch nut        | with through hole 3,05 mm |
|------------|--------|---------------------------|-------------------------------|-------------------------------|---------------------------|---------------------------|
| DE         | 5W1    | DEMT-5C1S-OL4-A191-A197   | DEMQ-5C1S-OL4-A191-A197       | DEMU-5C1S-OL4-A191-A197       | DEMX-5C1S-OL4-A191-A197   | DEM-5C1S-OL4-A191-A197    |
| DA         | 7W2    | DAMT-7C2S-OL4-A191-A197   | DAMQ-7C2S-OL4-A191-A197       | DAMU-7C2S-OL4-A191-A197       | DAMX-7C2S-OL4-A191-A197   | DAM-7C2S-OL4-A191-A197    |
| DA         | 11W1   | DAMT-11C1S-OL4-A191-A197  | DAMQ-11C1S-OL4-A191-A197      | DAMU-11C1S-OL4-A191-A197      | DAMX-11C1S-OL4-A191-A197  | DAM-11C1S-OL4-A191-A197   |
| DA         | 3W3    | DAMT-3C3S-OL4-A191-A197   | DAMQ-3C3S-OL4-A191-A197       | DAMU-3C3S-OL4-A191-A197       | DAMX-3C3S-OL4-A191-A197   | DAM-3C3S-OL4-A191-A197    |
| DA         | 3WK3   | DAMT-3CK3S-OL4-A191-A197  | DAMQ-3CK3S-OL4-A191-A197      | DAMU-3CK3S-OL4-A191-A197      | DAMX-3CK3S-OL4-A191-A197  | DAM-3CK3S-OL4-A191-A197   |
| DB         | 5W5    | DBMT-5C5S-OL4-A191-A197   | DBMQ-5C5S-OL4-A191-A197       | DBMU-5C5S-OL4-A191-A197       | DBMX-5C5S-OL4-A191-A197   | DBM-5C5S-OL4-A191-A197    |
| DB         | 9W4    | DBMT-9C4S-OL4-A191-A197   | DBMQ-9C4S-OL4-A191-A197       | DBMU-9C4S-OL4-A191-A197       | DBMX-9C4S-OL4-A191-A197   | DBM-9C4S-OL4-A191-A197    |
| DB         | 13W3   | DBMT-13C3S-OL4-A191-A197  | DBMQ-13C3S-OL4-A191-A197      | DBMU-13C3S-OL4-A191-A197      | DBMX-13C3S-OL4-A191-A197  | DBM-13C3S-OL4-A191-A197   |
| DB         | 17W2   | DBMT-17C2S-OL4-A191-A197  | DBMQ-17C2S-OL4-A191-A197      | DBMU-17C2S-OL4-A191-A197      | DBMX-17C2S-OL4-A191-A197  | DBM-17C2S-OL4-A191-A197   |
| DB         | 21W1   | DBMT-21C1S-OL4-A191-A197  | DBMQ-21C1S-OL4-A191-A197      | DBMU-21C1S-OL4-A191-A197      | DBMX-21C1S-OL4-A191-A197  | DBM-21C1S-OL4-A191-A197   |
| DC         | 8W8    | DCMT-8C8S-OL4-A191-A197   | DCMQ-8C8S-OL4-A191-A197       | DCMU-8C8S-OL4-A191-A197       | DCMX-8C8S-OL4-A191-A197   | DCM-8C8S-OL4-A191-A197    |
| DC         | 13W6   | DCMT-13C6S-OL4-A191-A197  | DCMQ-13C6S-OL4-A191-A197      | DCMU-13C6S-OL4-A191-A197      | DCMX-13C6S-OL4-A191-A197  | DCM-13C6S-OL4-A191-A197   |
| DC         | 17W5   | DCMT-17C5S-OL4-A191-A197  | DCMQ-17C5S-OL4-A191-A197      | DCMU-17C5S-OL4-A191-A197      | DCMX-17C5S-OL4-A191-A197  | DCM-17C5S-OL4-A191-A197   |
| DC         | 21WA4  | DCMT-21CA4S-OL4-A191-A197 | DCMQ-21CA4S-OL4-A191-A197     | DCMU-21CA4S-OL4-A191-A197     | DCMX-21CA4S-OL4-A191-A197 | DCM-21CA4S-OL4-A191-A197  |
| DC         | 25W3   | DCMT-25C3S-OL4-A191-A197  | DCMQ-25C3S-OL4-A191-A197      | DCMU-25C3S-OL4-A191-A197      | DCMX-25C3S-OL4-A191-A197  | DCM-25C3S-OL4-A191-A197   |
| DC         | 27W2   | DCMT-27C2S-OL4-A191-A197  | DCMQ-27C2S-OL4-A191-A197      | DCMU-27C2S-OL4-A191-A197      | DCMX-27C2S-OL4-A191-A197  | DCM-27C2S-OL4-A191-A197   |

For performance class 1 replace A191 with A190.  
For performance class 3 delete A191.

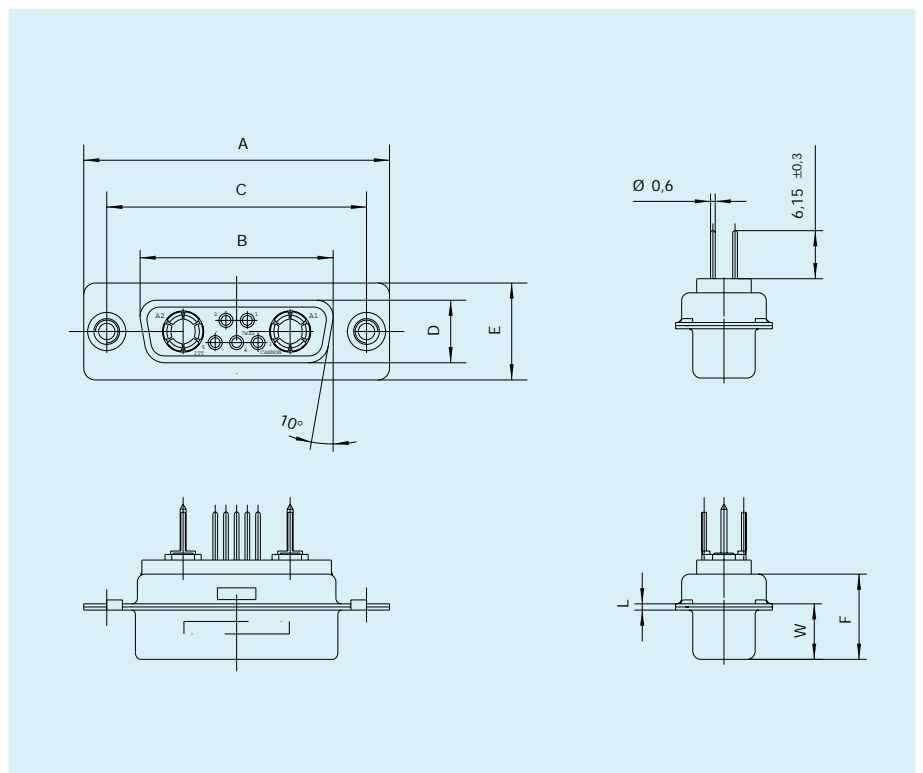
For 50 ohm coaxial replace C with X, Example:  
DCM-13C6P-1AFN-A191-K87-146 becomes  
DCM-13X6P-1AFN-A191-K87-146.

For pushfit 90° pcb hole diameter 3,2 mm replace 146  
with 162. For captive nut 4-40UNC replace 1A9N with  
1A7N and 1AHN with 1A8N.

Socket



- For contact cavity arrangements, see page 53.
- For pcb hole pattern, see page 64 – 67.
- For mounting methods, see page 86 – 87.
- For panel cut-outs, see our D Subminiature catalogue.



Dimensions

| Shell size | A      | B      | C      | D      | E      | F      | L     | W     |
|------------|--------|--------|--------|--------|--------|--------|-------|-------|
|            | ± 0,38 | ± 0,13 | ± 0,13 | ± 0,13 | ± 0,13 | ± 0,25 | + 0,2 | ± 0,4 |
| DE         | 30,8   | 16,35  | 25     | 7,9    | 12,55  | 10,9   | 0,8   | 6,95  |
| DA         | 39,15  | 24,65  | 33,3   | 7,9    | 12,55  | 10,9   | 0,8   | 6,95  |
| DB         | 53,05  | 38,4   | 47,05  | 7,9    | 12,55  | 10,9   | 0,8   | 6,95  |
| DC         | 69,3   | 54,85  | 63,5   | 7,9    | 12,55  | 10,9   | 0,8   | 6,95  |